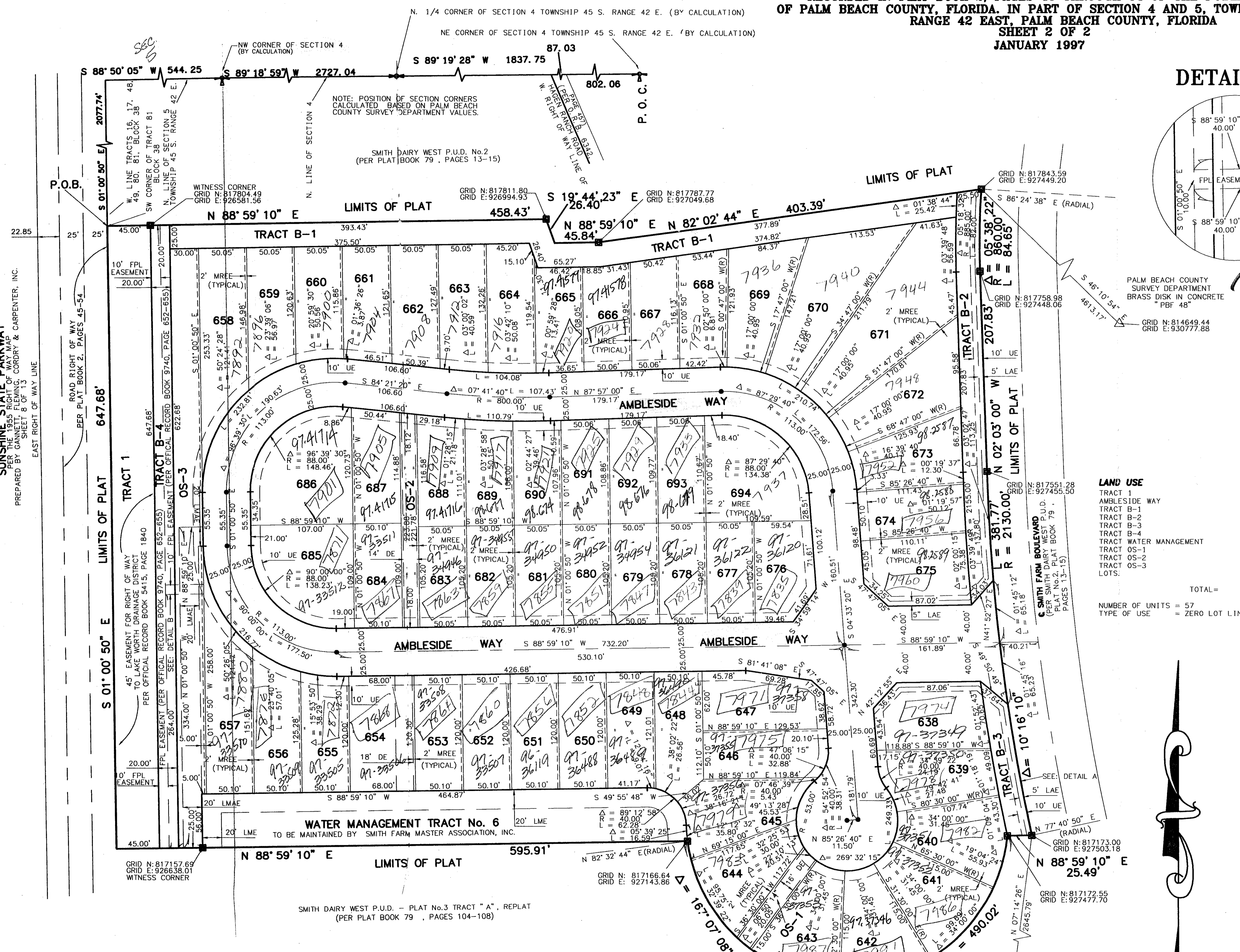
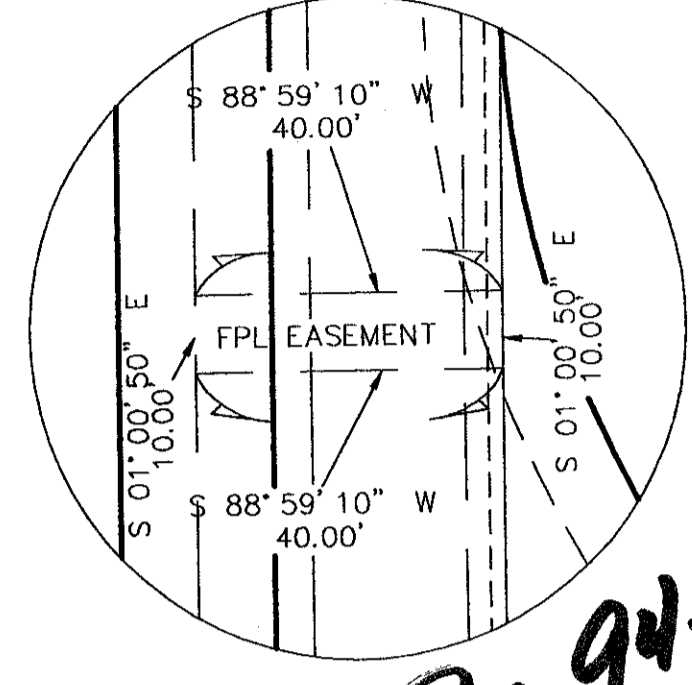


0653-007

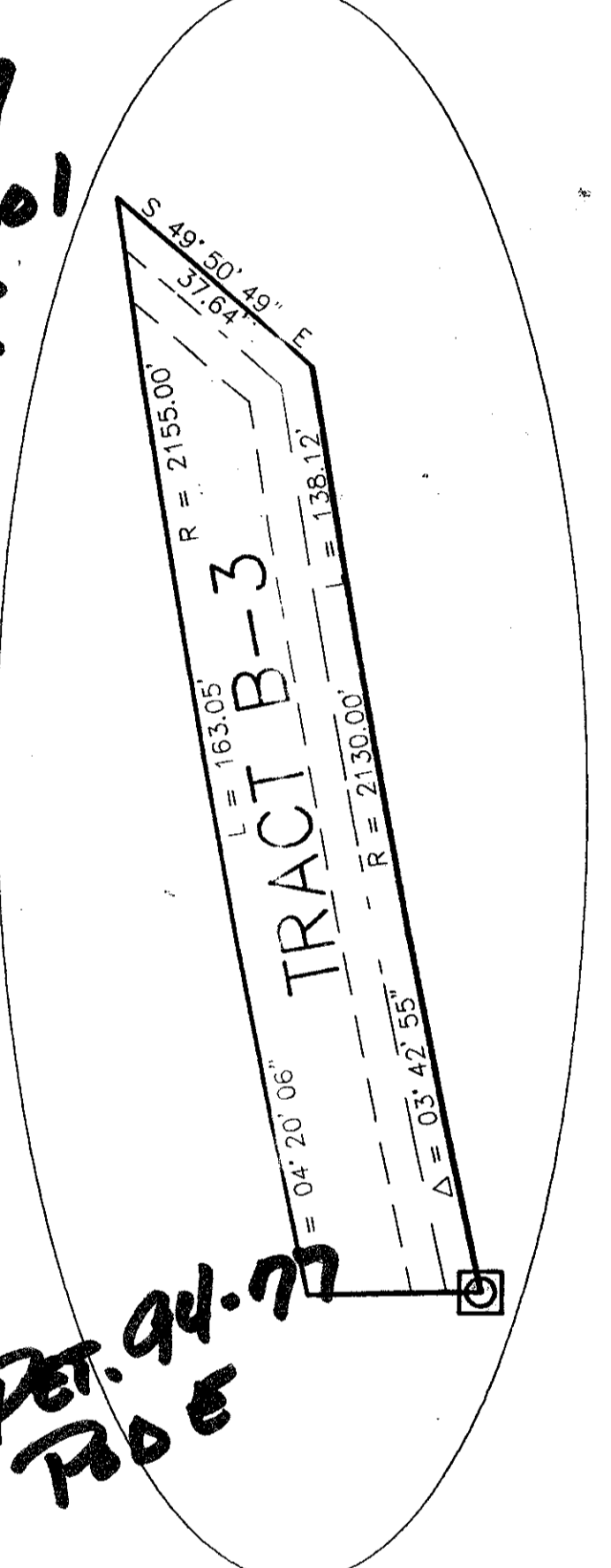
SMITH DAIRY WEST P.U.D.-PLAT No. 5
 BEING A REPLAT OF PART OF TRACT "A" OF SMITH DAIRY WEST
 P.U.D.-PLAT No.3 AS RECORDED IN PLAT BOOK 77, PAGES 126 THROUGH 134
 AND PART OF BLOCK 38 OF PALM BEACH FARMS COMPANY PLAT No.3, AS
 RECORDED IN PLAT BOOK 2, PAGES 45 THROUGH 54 OF THE PUBLIC RECORDS
 OF PALM BEACH COUNTY, FLORIDA. IN PART OF SECTION 4 AND 5, TOWNSHIP 45 SOUTH,
 RANGE 42 EAST, PALM BEACH COUNTY, FLORIDA
 SHEET 2 OF 2
 JANUARY 1997



DETAIL: B



DETAIL: A



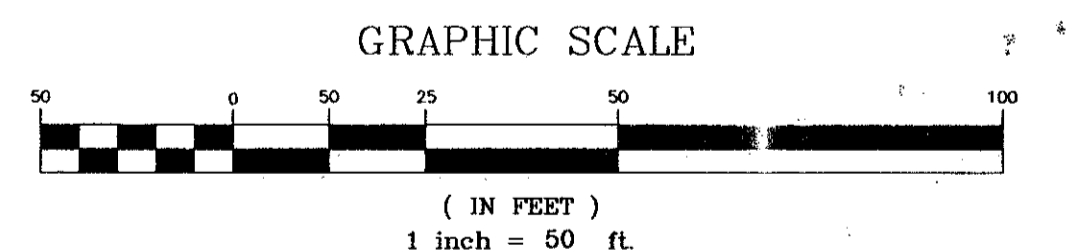
Pet. 94-77
Alloc. #0001
5/2/2/I

Pet. 94-77
HOE

LAND USE

TRACT 1	.67 Ac.
AMBLESIDE WAY	2.57 Ac.
TRACT B-1	0.49 Ac.
TRACT B-2	0.24 Ac.
TRACT B-3	0.09 Ac.
TRACT B-4	0.15 Ac.
TRACT WATER MANAGEMENT	0.64 Ac.
TRACT OS-1	0.05 Ac.
TRACT OS-2	0.09 Ac.
TRACT OS-3	0.57 Ac.
LOTS:	8.99 Ac.
TOTAL =	14.55 Ac.

NUMBER OF UNITS = 57
 TYPE OF USE = ZERO LOT LINE



- LEGEND:**
- = PERMANENT REFERENCE MONUMENT "P.L.S. 4828"
 - = PERMANENT CONTROL POINT "P.C.P. 4828"
 - R = RADIUS
 - L = ARC LENGTH
 - Δ = DELTA (CENTRAL ANGLE)
 - PSM = PROFESSIONAL SURVEYOR & MAPPER
 - PLS = PROFESSIONAL LAND SURVEYOR
 - UE = UTILITY EASEMENT
 - DE = DRAINAGE EASEMENT
 - LME = LAKE MAINTENANCE EASEMENT
 - N = NORTHING (GRID)
 - E = EASTING (GRID)
 - (C) = CALCULATED
 - (R) = RADIAL
 - MREE = MAINTENANCE AND ROOF EAVE EASEMENT
 - LMAE = LAKE MAINTENANCE ACCESS EASEMENT
 - LAE = LIMITED ACCESS EASEMENT
 - OS = OPEN SPACE
 - P.O.C. = POINT OF COMMENCEMENT
 - P.O.B. = POINT OF BEGINNING
 - FPL = FLORIDA POWER AND LIGHT

SCALE: 1"=50'
 DATE: JAN 1997
NICK MILLER, INC.
 Surveying
 Planning & Development
 Consultants
 DRAWN BY:
 CHK:
SMITH DAIRY WEST P.U.D. PLAT No. 5
 2560 RCA Blvd, Suite 105
 Palm Beach Gardens, Florida 33410
 (561) 627-5200
 D.B.P.R. Business License No. 4318
 DRAWING NUMBER
940148S

SUNSHINE STATE PARKWAY
 PER THE 1955 RIGHT OF WAY MAP
 PREPARED BY GARNETT, CONROY & CARPENTER, INC.
 SHEET 8 OF 13
 EAST RIGHT OF WAY LINE

SUBDIVISION * SMITH DAIRY WEST
 BOOK 80
 PAGE 195
 FLOOD MAP # 170A
 ZONING PUD
 SE 94-77
 PUD NAME SMITH DAIRY WEST PLATS

0653-007

80/195